



TECHNICAL SPECIFICATIONS

OPTICAL FIBER PATCH CORD ASSEMBLY

Approved by: _____

Date: _____

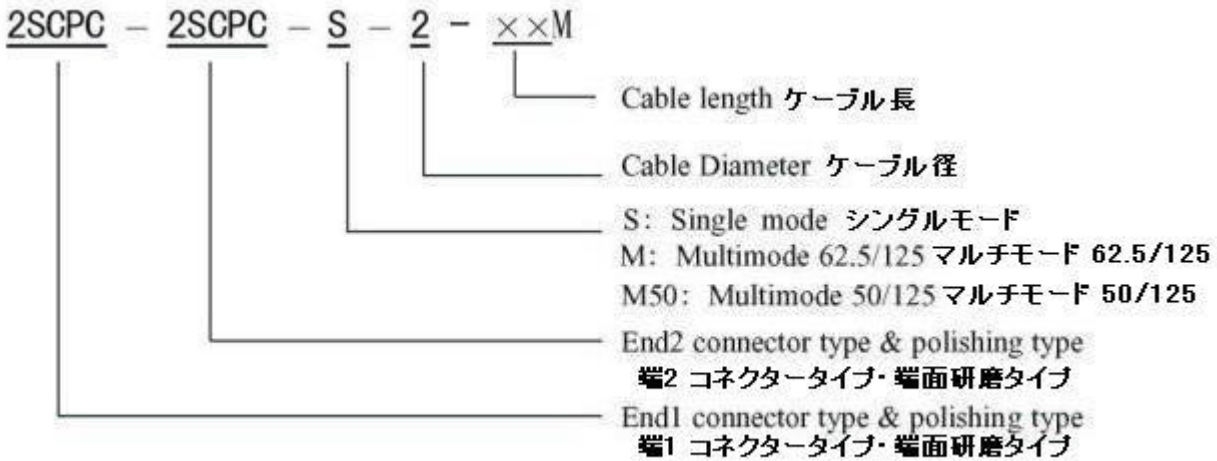
A handwritten signature in black ink, appearing to read 'Jin'.

ZT INTERNATIONAL LTD.

DEC. 13, 2006

ZT INTERNATIONAL LTD	Model	2SCPC-2SCPC-S-2-2M
	Issue Date	2007-1-7
Patchcord / Assembly Specification	Edition	V0

Manufacturer Model Information: (型番)



Product model : (型番) 2SCPC-2SCPC-S-2-2M

Explanation : Duplex core Singlemode(9/125) cable connector, End1 represents 2 SC/PC plugs
内容 End2 represents 2 SC/PC plugs ,cable diameter is 2mm ,and cable length is 2meters.

2心、シングルモード(9/125)ケーブルコネクタ、端1 SC/PC プラグ(2)、
端2 SC/PC プラグ (2)、ケーブル径 2mm、ケーブル長 2m

1. Product Figuration (図面)

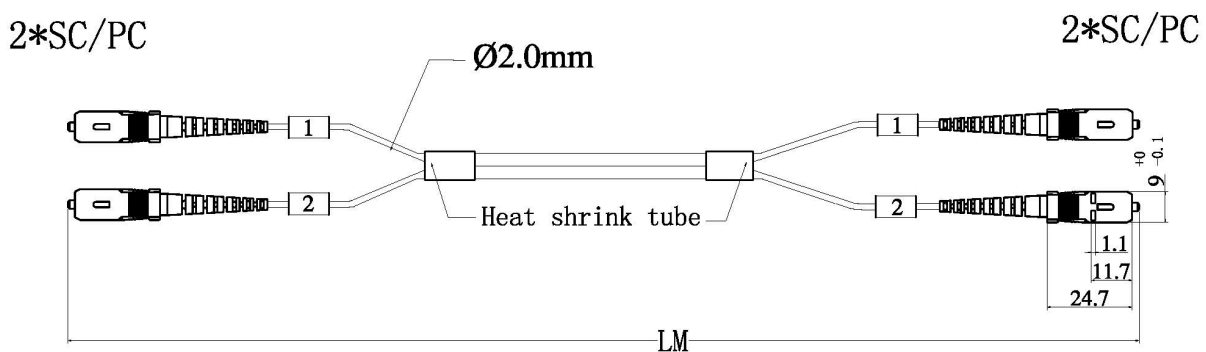


Figure 1 Cable Module 図1 ケーブルモジュール

The branch mark of two ends: use number to represent One ends marked as: 1, the other ends marked as: 2. (両端マーキング: 1 ---- 1: 2 ---- 2)

Split Identifier: 1-----1;
2-----2

ZT INTERNATIONAL LTD	Model	2SCPC-2SCPC-S-2-2M
	Issue Date	2007-1-7
Patchcord / Assembly Specification	Edition	V0

2. Fiber Connector Performance Index (ファイバーコネクタ性能)

Table1 Single mode fiber connector performance index

表1 シングルモードファイバーコネクタ性能

Item 項目	SC
Insertion loss (挿入損失)	0.30dB
Return loss (反射減衰量)	45dB(PC) 50dB(UPC)
Working temperature (動作温度)	- 25 ~ +75
Storing temperature (保存温度)	-40 ~ +85
Endurance (耐久性)	500times
Standard (準拠規格)	IEC61754/ GR326/ YD1258.4

3. Fiber Technology Performance (ファイバー技術性能)

Table2 Single mode fiber dimension index

表1 シングルモードファイバー仕様

Item	Technology index
Core diameter , μm (コア径)	9.0 ± 0.5
Cladding diameter , μm (クラッド径)	125.0 ± 2
Core non-circularity , % (コア非円周率)	6
core/cladding concentricity error , μm (コア/クラッド偏心率)	1.5
Cladding non-circularity , % (クラッド非円率)	2
Coating diameter , μm (コーティング径)	245 ± 10
cladding/coating concentricity error , μm (コーティング/クラッド偏心率)	6
Numerical aperture (開口数-N.A.)	0.200 ± 0.015
Standard (規格)	IEC60793 /GR20/YD/T1258.1

ZT INTERNATIONAL LTD	Model	<i>2SCPC-2SCPC-S-2-2M</i>
	Issue Date	2007-1-7
Patchcord / Assembly Specification	Edition	V0

4. Cable Technology Requirements

a. Cable configuration illustration (ケーブル形状)

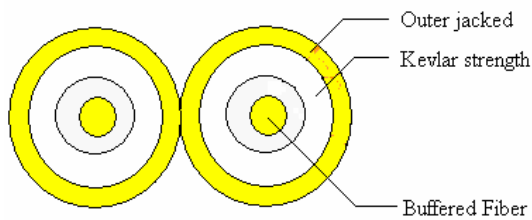


Figure 2 Cable section 図 2 ケーブル断面図

b. Optical cable performance ケーブル特性

Mechanism performance complying standard :IEC60794-1/GB/T7424.2/YD/T1258.3

構造的特性: IEC60794-1/GB/T7424.2/YD/T1258.3 準拠

Anti-fire performance complying standard :OFNR

難燃性特性: OFNR 準拠

5. Outer Jacket mechanism performance (外被特性)

Complying standard :YD/T1258.3

YD/T1258.3 準拠

